

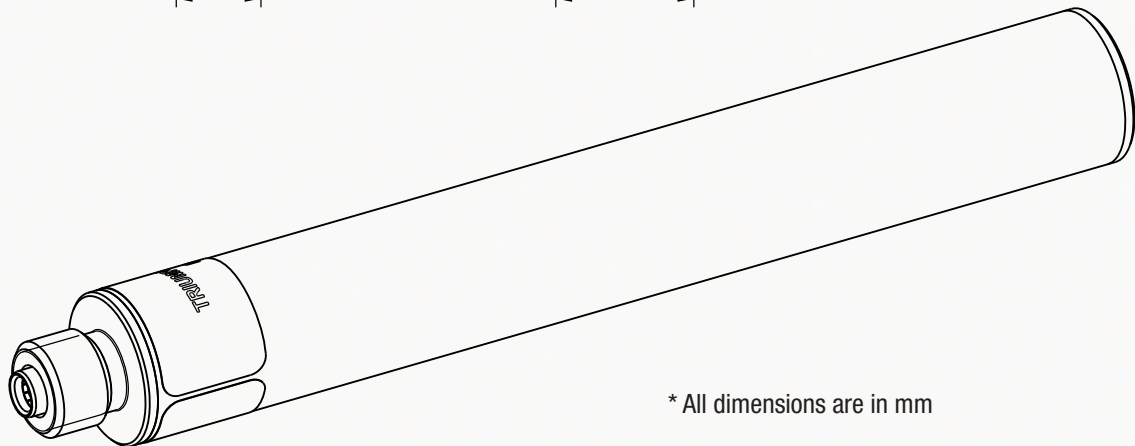
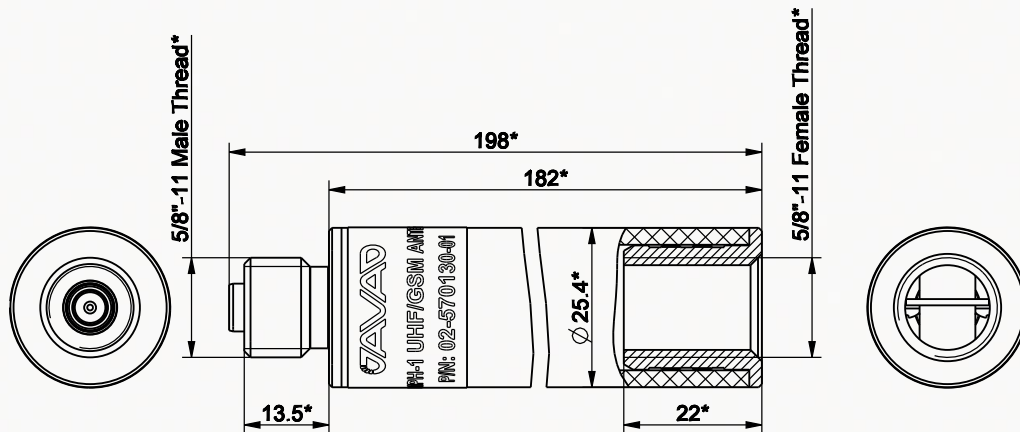
TRIUMPH-1 Modem Antenna

A broadband, rugged, in-building or outdoor antenna designed to service the whole 406-470 MHz UHF band and GSM quad band. With modest dimensions of 25 mm (OD) x 182 mm (height), this antenna radiates with a typical peak omnidirectional gain of +3 dBi. Internally, the radiating element is DC shunted to help protect the transceiver ElectroStatic Discharge (ESD).

The TRIUMPH-1 modem antenna can be mounted on standard poles (5/8-11 inches thread). Attached to the TRIUMPH-1 receiver this antenna gets a part of survey pole, making handling with receiver easy and simple.

TRIUMPH-1 MODEM ANTENNA

Signal	
Capability	UHF GSM 850/900/1800/1900
Frequency	406~470 MHz 824~960 MHz 1710~1990 MHz
Gain	3 dBi (UHF) 3 dBi (GSM)
Impedance	50 Ω
VSWR	2:1 (UHF) 2.5:1... 3:1 (GSM)
Environmental	
Operating Temperature	-45°C ~ +85°C
Storage Temperature	-50°C ~ +85°C
Mechanical	
Antenna type	1/4 Wave
Connector	BMA
Weight	160 g
Dimensions	Outline: 198 mm x 25.4 mm diam. Pole Length: 182 mm
Color	JAVAD GNSS Green
Mounting	5/8 – 11 Male X 5/8 – 11 Female



* All dimensions are in mm

Specifications are subject to change without notice.



JAVAD GNSS
www.javad.com

