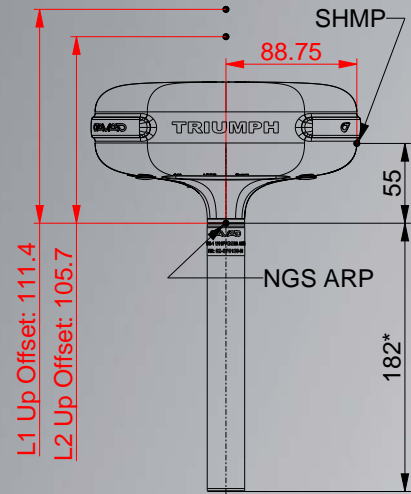


# TRIUMPH-1



1. All dimensions are in mm
2. \* Reference dimension
3. ARP - Antenna Reference Point  
SHMP - Slant Height Measurement Point

## Download

- TRIUMPH-1 Operators Manual
- Latest firmware version
- USB driver
- NGS Information

<http://www.javad.com/jgnss/products/receivers/triumph-1.html>

# JAVAD

1731 Technology Drive, San Jose, CA 95110 USA

Phone: +1(408)573-8100 Fax: +1(408)573-9100

[www.javad.com](http://www.javad.com)

Copyright © JAVAD GNSS, Inc., 2008

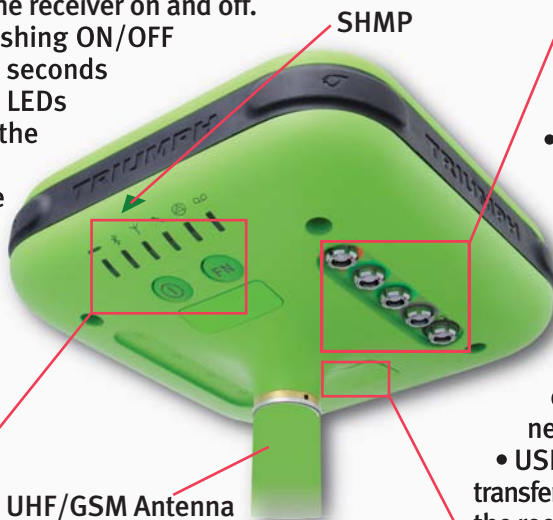
# TRIUMPH-1

## MinPad

TRIUMPH-1 is very simple to operate. Turn it on and six green lights, one after the other, glow to tell you that all is going well.

The ON/OFF button turns the receiver on and off. Holding FN down while pushing ON/OFF button between 4 to 8 seconds (during this period four LEDs blink yellow) will clear the NVRAM.

Holding FN down while pushing ON/OFF button for more than 30 seconds resets the receiver. FN button starts/stops data recording.



## Connectors

Communication with TRIUMPH-1 is easy. In addition to two serial ports (A and B) and a USB, TRIUMPH-1 also has Ethernet connectivity.



- Power – used to connect the receiver to an external power source.
  - Serial – used for communication between the receiver and an external device.
  - Ethernet - used to connect the receiver to local network.
  - USB – used for high-speed data transfer and communication between the receiver and an external device.

UHF/GSM Antenna

SHMP

Function	Symbol	Green	Yellow	Red	OFF
BATTERY <sup>1</sup>		Full	Half	Almost Empty	OFF/No power
BLUETOOTH		Connected	Searching	No connection	Not Active
MODEM		Connected	Marginal Connectivity	No connection	Not Active
SATELLITES <sup>2</sup>		8 or more	5 to 7	Less than 5	No Satellite
POSITION		Fixed/Diff/OK (Base)	Float/No-Diff	No Position	Receiver OFF
RECORDING <sup>3</sup>		Recording	Less than 10 min memory left	Memory Full	Not Active

1. LED solid according to the battery means receiver is ON without external power and sleep mode is OFF. Blinking every 1 sec according to the battery means receiver is OFF, and external power is connected. Yellow-Green-Red rapid blinking every 10 sec means the sleep mode is activated.

2. Effective number of satellites are total number of satellites tracked minus the number of non-GPS systems tracked. For example if 8 GPS and 5 GLONASS are tracked the effective number of satellites is 12.

3. RECORDING LED blinks on each recording.

## SIM Card Slot

To install the SIM card:

- Ensure the receiver is turned off.
- Open the small SIM card door.
- Carefully insert the SIM into the SIM card holder and push them to LOCK to close it tightly.



## Quick Start Guide